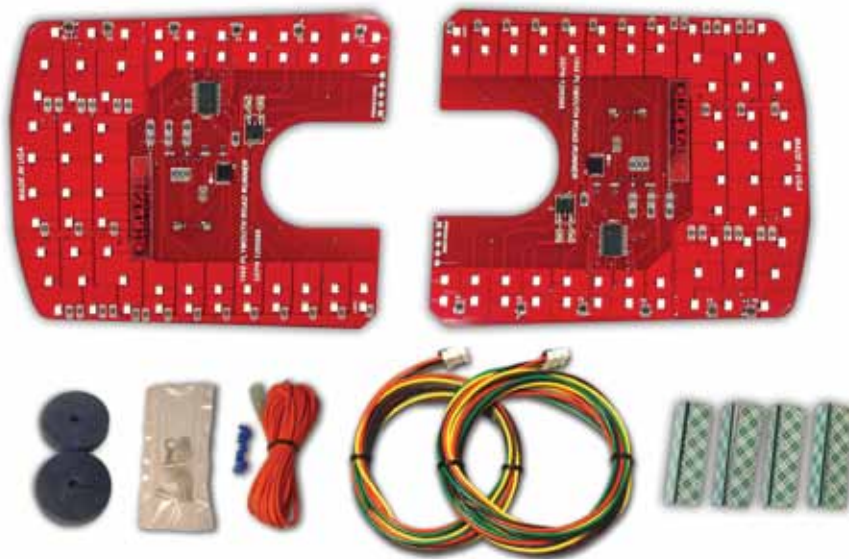


DIGI-TAILS

DIGITAL TAILLIGHTS
Sequential LED Tail Light Kit Installation Guide

1968 PLYMOUTH ROAD RUNNER PN 1200568



Please refer to Invoice for full warranty information
DIGI-TAILS is not a licensed MOPAR product

Note

The LED boards are shipped with the slide switch set to Sequential mode. It is recommended that slide switches on all the LED boards be set to the same setting (either standard or sequential).

Please follow all local laws concerning exterior lighting.



(Shown in sequential mode)

LED PANEL INSTALLATION

1

Remove the negative terminal from the battery to cut off all power in your car. Press on the brake pedal to verify that your brake lights are not lighting up.

2

Remove the light sockets from the tail light housings (turn them counter clockwise). As a safety precaution, remove the bulbs out of the sockets and put them away since they will no longer be needed. Remove the tail light lens. Removal of the tail light housing assembly from the car may be required.

3

Cut out the included template and place onto the housing. Place the shorter end towards the reverse bulb end and align the template with the edge of the housing. Mark the location for the mounting bracket. Before attaching the brackets wipe clean the housing so there is a fresh surface to adhere to.

Template flush with housing edge



2

Mounting bracket location

Each LED panel is marked Driver and Passenger identifying where each respective LED panel is to be mounted. After all the angle brackets have been placed, test fit the LED panel to be certain it sits flush. Once satisfied, peel the remaining protective plastic from the angle brackets and carefully attach the LED panel making sure all the gaps between the LED panel and the housing are the same and that the LED panel is parallel to the housing lip. We have found the provided double sided tape works well and has a strong bond once it has been securely pressed to its mounting surface. For an extra sense of security, a few seams of silicone may also be added. Note, everything we use to mount the LED panels does not alter the original housing in any way.



Passenger Side shown



The LED light kits are designed for best performance when using an electronic no-load flasher. Shown here is an optional electronic no-load flasher (PN 200002) available from DIGI-TAILS.

When using a stock bi-metal flasher, it is recommended that a standard duty flasher be used instead of a heavy duty flasher. If your turn signal circuit includes LED turn signals in the front as well as the rear, the turn signal circuit will not have enough resistance load to operate an original bi-metal flasher and this no-load flasher will be required for both the turn signal and emergency flashers.



Black wire must be grounded

WIRE SPICE INSTALLATION

Pick a point in the rear body harness between the driver's side quarter panel and the driver's side tail light housing assembly and remove the cloth tape to expose the tail light wires.

Take the LED harness **DARK GREEN** wires and splice it with the original **DARK GREEN** wires.

Take the LED harness **BROWN** wires and splice it with the original **BROWN** wires.

The light sockets on the car harness are no longer needed.

Take the LED harness **YELLOW** wires and splice them in with the original **BLACK** running light wires. The ends going to the side marker light sockets must be included in the splice for the side markers to remain functional.

Take the ground wires and connect them all together. Bolt them to the trunk latch support along with the original rear body harness ground.

Note: A good ground connection is essential to the operation of the LED tail lights.

An **ORANGE** power wire is supplied along with a T-Tap. The orange power wire must receive supplied with a constant 12 volt battery supply for the LED circuitry to operate properly. The T-Tap connector is used to splice to the constant power source, such as the dome light or trunk light wire.

Spice the T-Tap connector into the constant power wire, then plug the orange wire into the T-Tap. The other end of the orange wire is spliced into the LED harness Orange wires.

The last page is a wire diagram of how the LED harness splices into the car's original harness.



Insert wire onto T-Tap

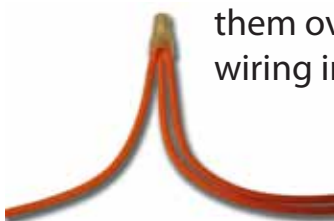


Crimp with pliers



Plug connector into T-Tap

To keep the wires neatly tucked and in line, take the spliced sections and fold them over to one side and tape them in place. This will allow you to place the wiring into loom or have the ability to wrap the LED harness wiring tightly away.



Wires spliced together.

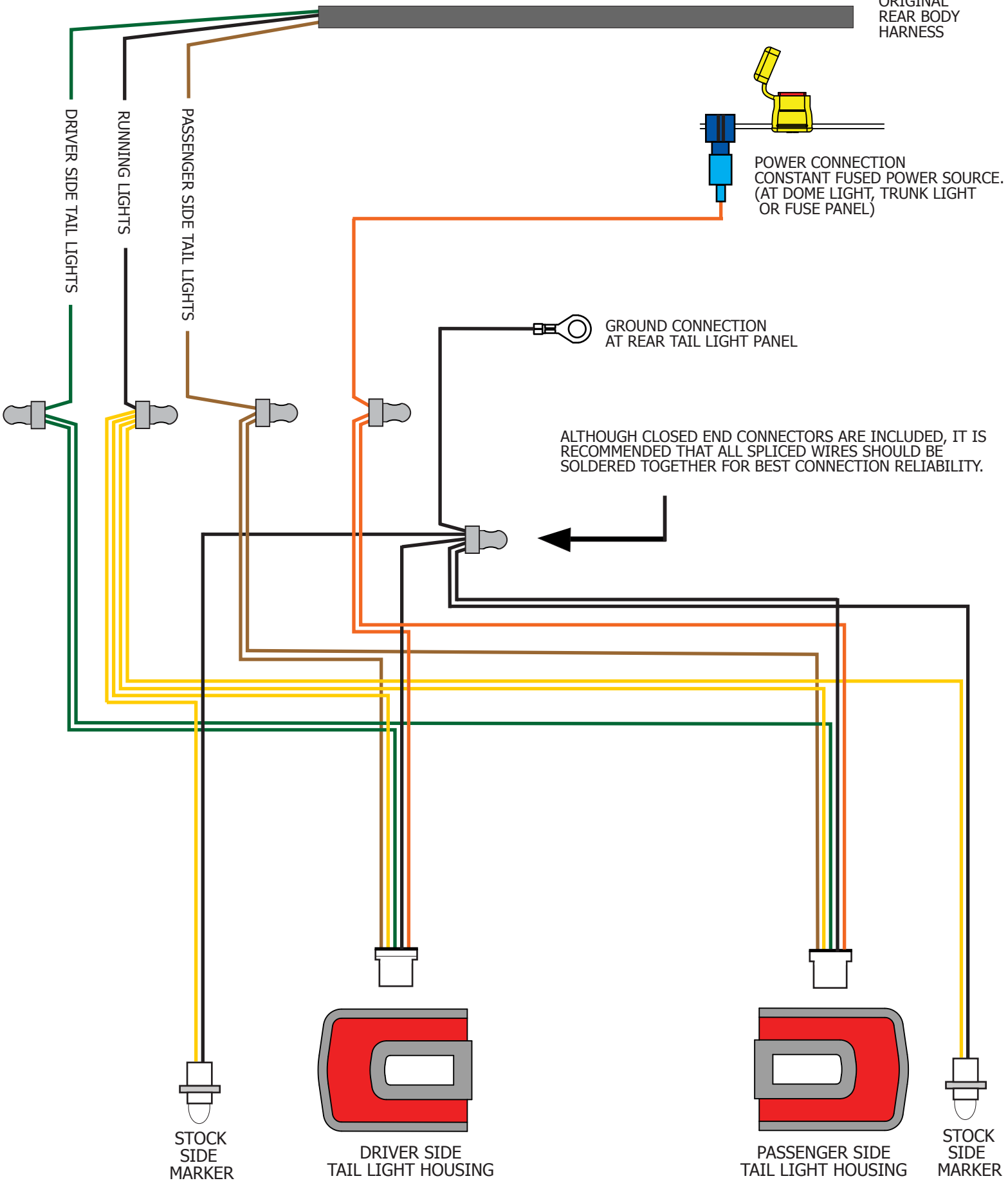


Fold wires over to a side.



Wrap with tape to hold in place.

ORIGINAL
REAR BODY
HARNESS



POWER CONNECTION
CONSTANT FUSED POWER SOURCE.
(AT DOME LIGHT, TRUNK LIGHT
OR FUSE PANEL)

GROUND CONNECTION
AT REAR TAIL LIGHT PANEL

ALTHOUGH CLOSED END CONNECTORS ARE INCLUDED, IT IS
RECOMMENDED THAT ALL SPLICED WIRES SHOULD BE
SOLDERED TOGETHER FOR BEST CONNECTION RELIABILITY.

STOCK
SIDE
MARKER

DRIVER SIDE
TAIL LIGHT HOUSING

PASSENGER SIDE
TAIL LIGHT HOUSING

STOCK
SIDE
MARKER